

BASSO



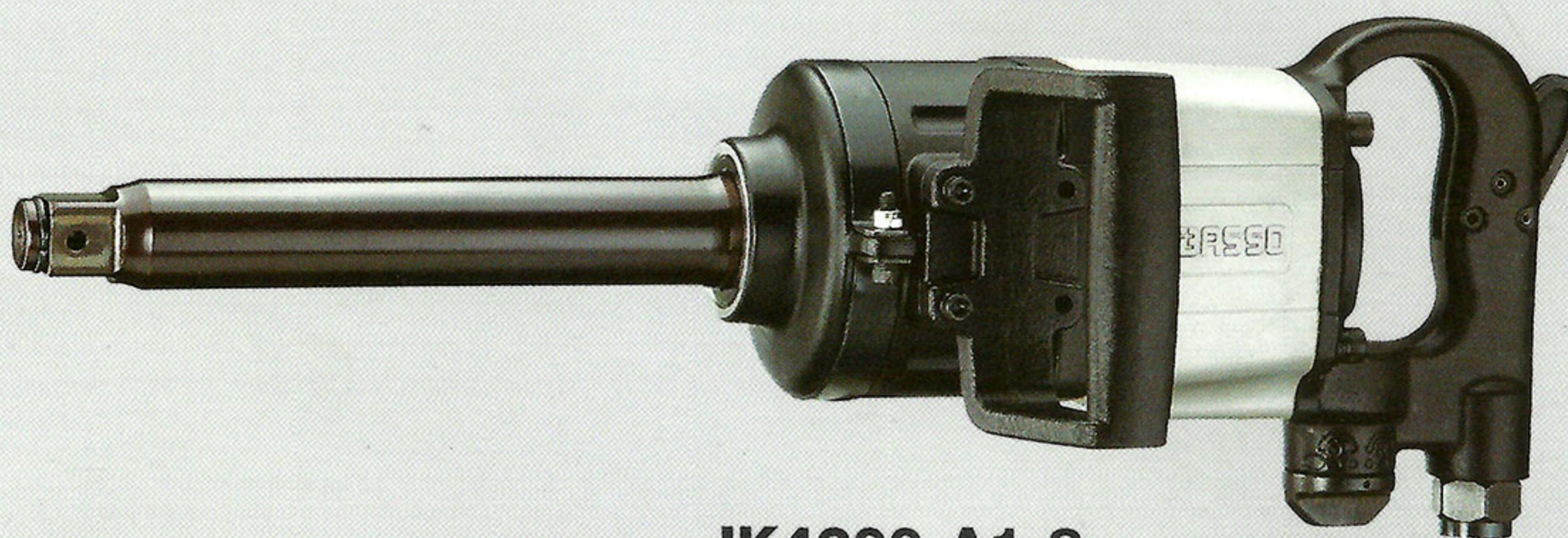


IK4185

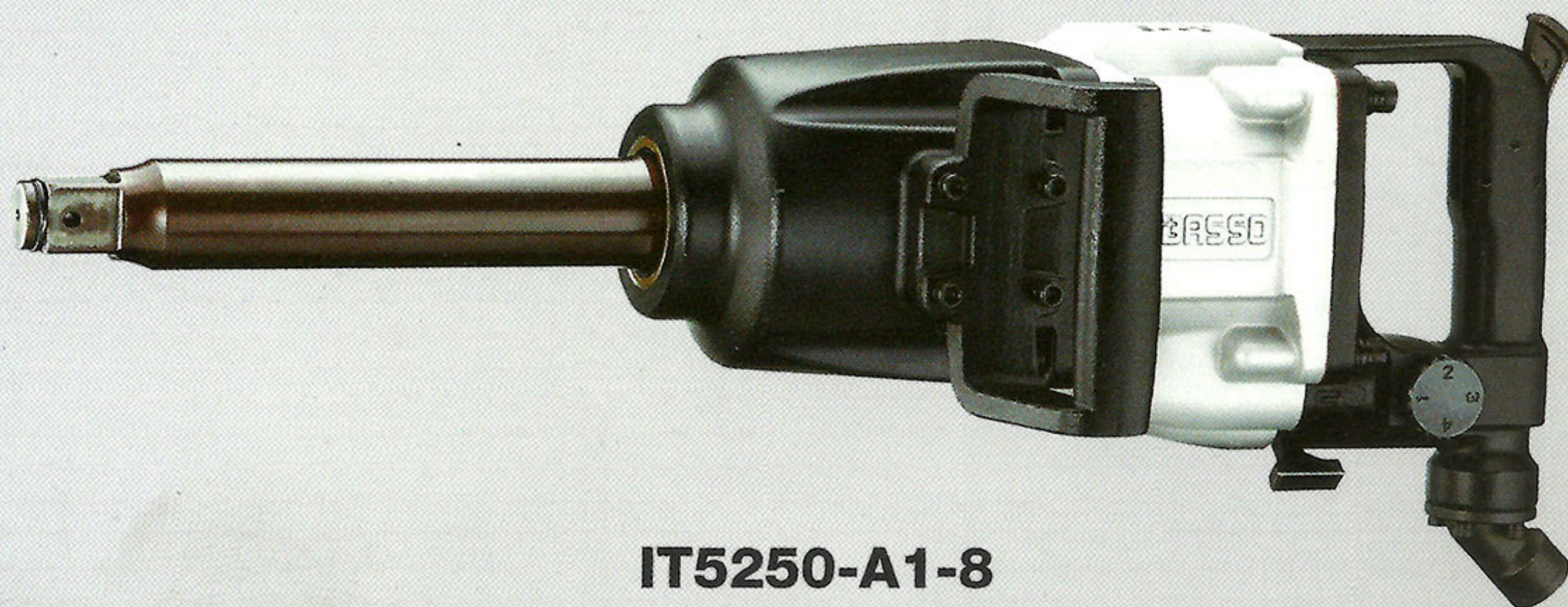
- TWIN-HAMMER mechanism provides more power and smooth balanced blows.
- Ergonomics housing design.
- Uphill soft grip reduce fatigue when long time operation.
- Handle exhaust directs air away from workpiece and operator.
- High performance motor maximizes output torque.
- Optional 360 degree air inlet swivel keeps air hose from being twisted and kinked.

APPLICATION:

Spring work, maintenance of buses, trucks, farm machinery, truck tire work and major engine teardowns.



IK4200-A1-8



IT5250-A1-8

Model	Housing Material	Square Drive	Max Torque		Impact Mechanism	Free Speed RPM	Std Bolt Size		Length		Weight		Min Hose Size		Ave. Air Consumption	
			Ft-lb	Nm			in.	mm	in.	mm	Lbs	kgs	in.	mm	CFM	l/min
IK4185-A1									10.9	277	22.47	10.2				
IK4185-A1-6	Al.	1"	1,850	2,500	Pinless	4,800	1-5/16	33	16.839	427.7	25.11	11.4	3/4	19	9.58	271
IK4185-A1-8									18.839	478.5	25.33	11.5				
IK4200-A1									13.587	345.1	23.13	10.5				
IK4200-A1-6	Al.	1"	2,000	2,700	Pinless	5,000	1-5/16	33	19.528	496.0	26.88	12.2	3/4	19	10.8	306
IK4200-A1-8									21.524	546.7	27.533	12.5				
IT4250-A1									17.04	433	27.91	12.66				
IT4250-A1-8	Al.	1"	2,500	3,390	Twin Hammer	4,300	2	50	24.2	615	31.84	14.44	3/4	19	9.5	269
IK4250-A1									17.04	433	30.56	13.86				
IK4250-A1-8	Al.	1"	2,500	3,390	Pinless	4,300	2	50	24.2	615	34.48	15.64	3/4	19	9.5	269
IT5250-A1									17.04	433	29.32	13.3				
IT5250-A1-8	Al.	1-1/2"	2,500	3,390	Twin Hammer	4,300	2	50	24.2	615	34.99	15.87	3/4	19	9.5	269
IK5250-A1									17.04	433	31.5	14.3				
IK5250-A1-8	Al.	1-1/2"	2,500	3,390	Pinless	4,000	2	50	24.2	615	37.3	16.9	3/4	19	9.5	269



Basso is the world leading manufacturer for pneumatic nailers / staplers. Basso leverages its solid foundation of pneumatic nailers / staplers into the automotive air tools.

Basso is constantly working on the development of a more extensive pneumatic nailers / staplers product line that can not only meet the various demands of professional users but also exceed their expectations of superior performance and quality.

If you need any product information, please feel free to contact with us.

BASSO

BASSO INDUSTRY CORP.

No. 24, 36th Rd., Taichung Industrial Park, Taichung, 40768
Taiwan, R.O.C.

Tel: +886-4-2350 0628 / Fax: +886-4-2359 8880

E-mail: sales@basso.com.tw

www.BASSO.com.tw



2012.02.21